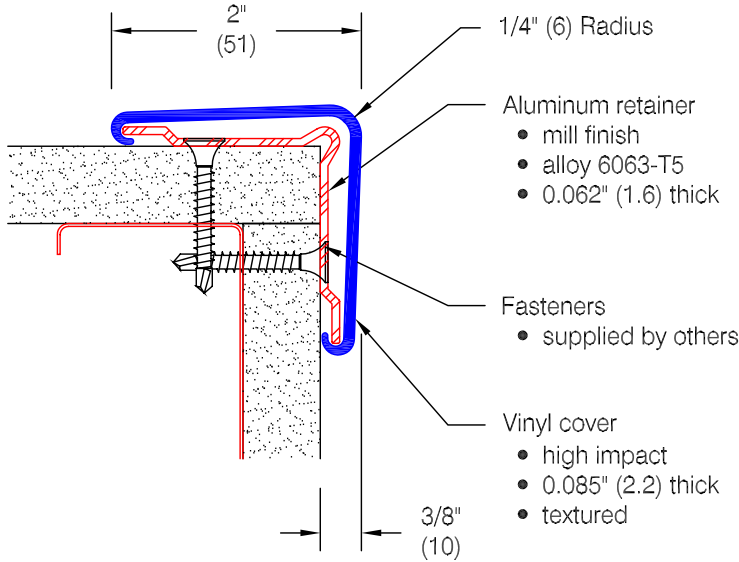


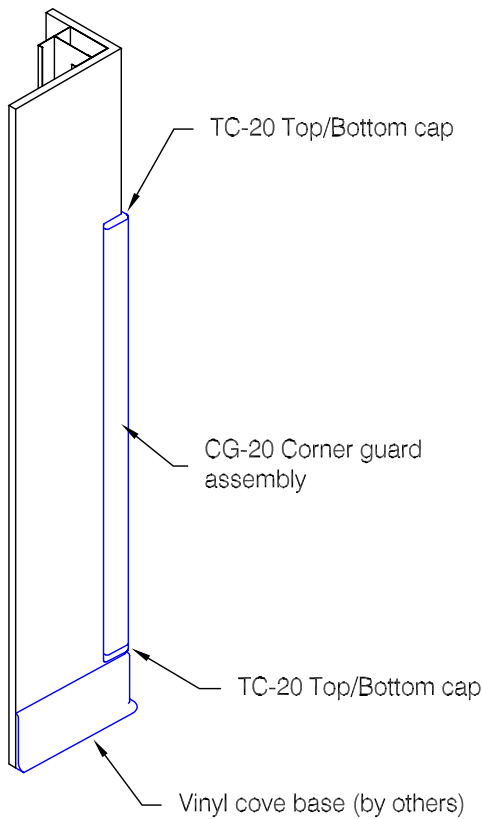


CG-20 Corner Guard

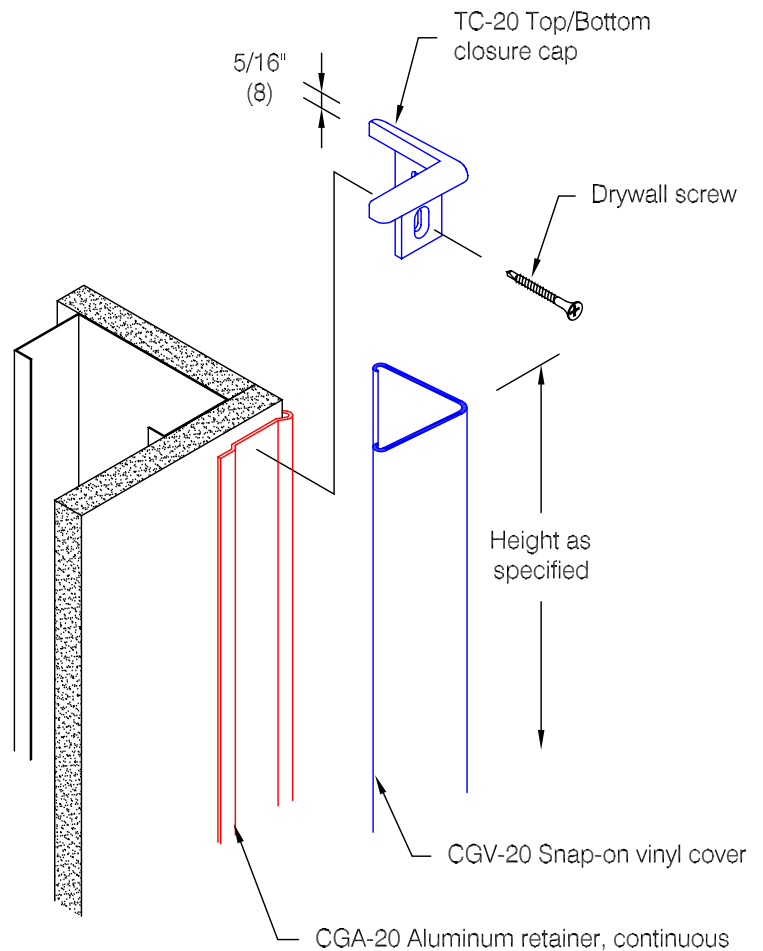


Finishes:

- Vinyl cover (textured)
 - Manufacturer's standard colors
 - Custom colors available
- Aluminum retainer
 - Mill finish #405



Application Diagram



* Partial height installation with top and bottom caps shown. Full height installations may not require top or bottom cap.

Pawling Corporation reserves the right to discontinue a design or modify an existing design without prior notice

Customer :

Project :

Architect :

Sales Rep :

WD.105.0a