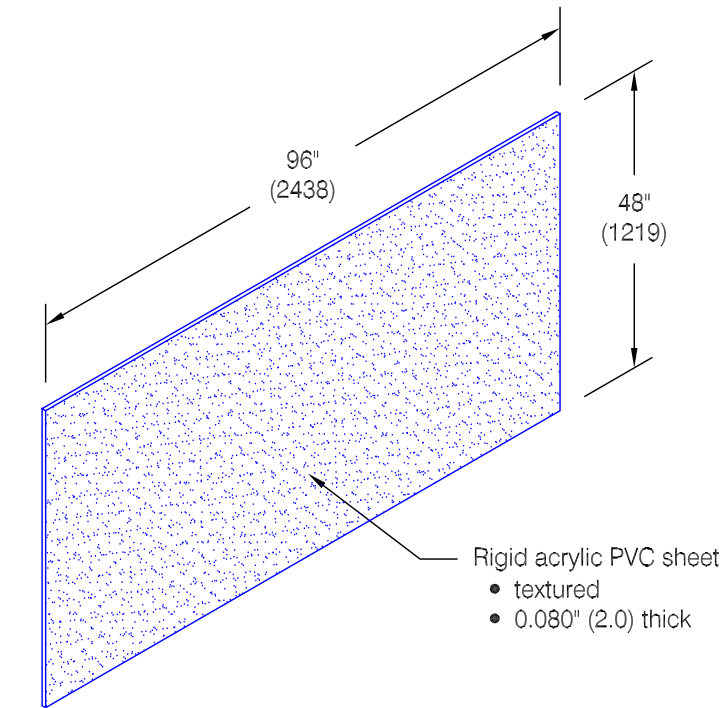




WC-80 Wall Covering

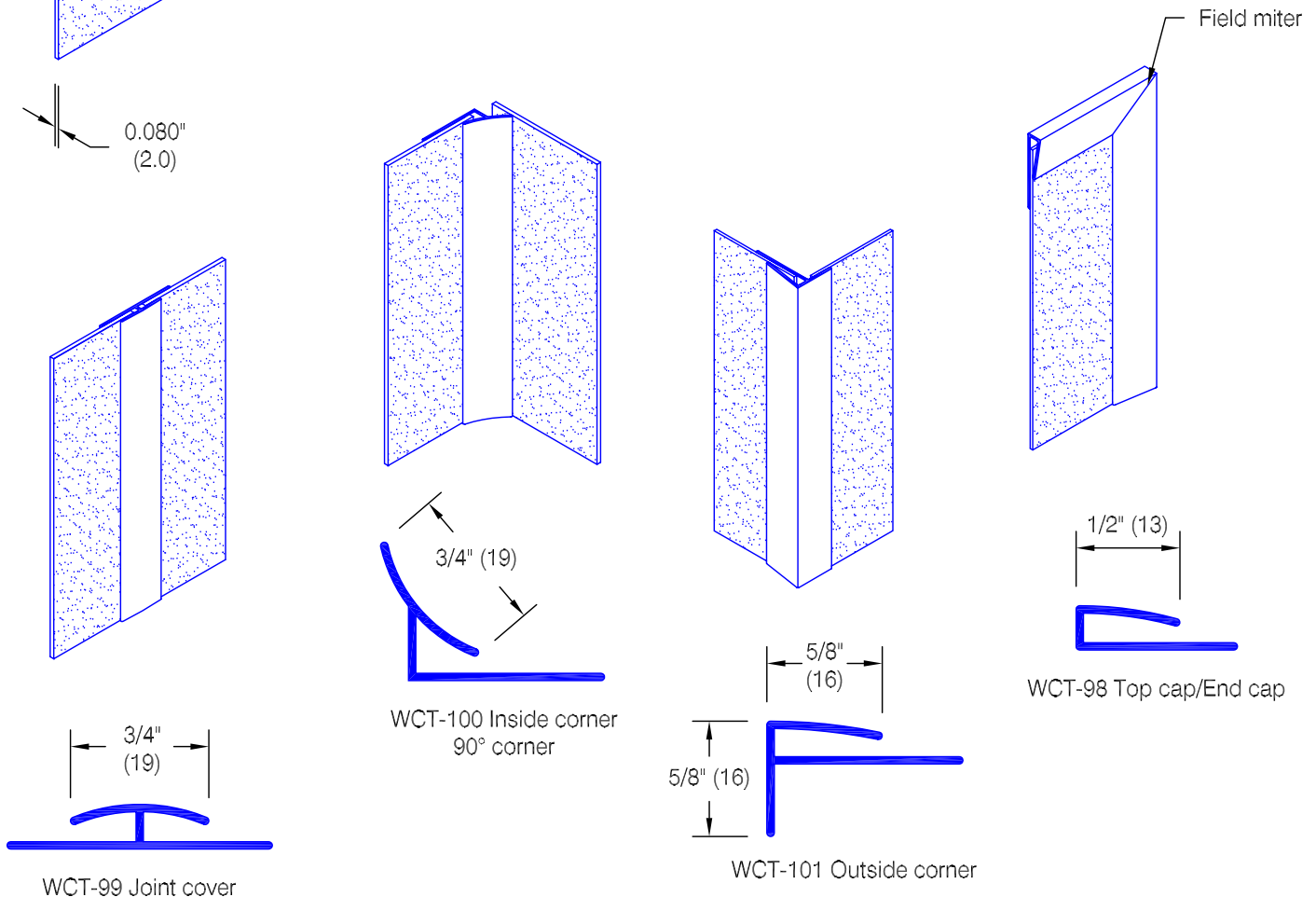


Finishes:

- Manufacturer's standard colors
- Custom colors available

Mounting Options:

- Adhesive



Pawling Corporation reserves the right to discontinue a design or modify an existing design without prior notice

Customer :	Project :	WD.66.1a
Architect :	Sales Rep :	