



WG-6 Wall Guard

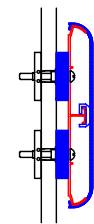
Features:

- Molded end caps
- Molded outside corners
- Stock length 12'-0" (3658)

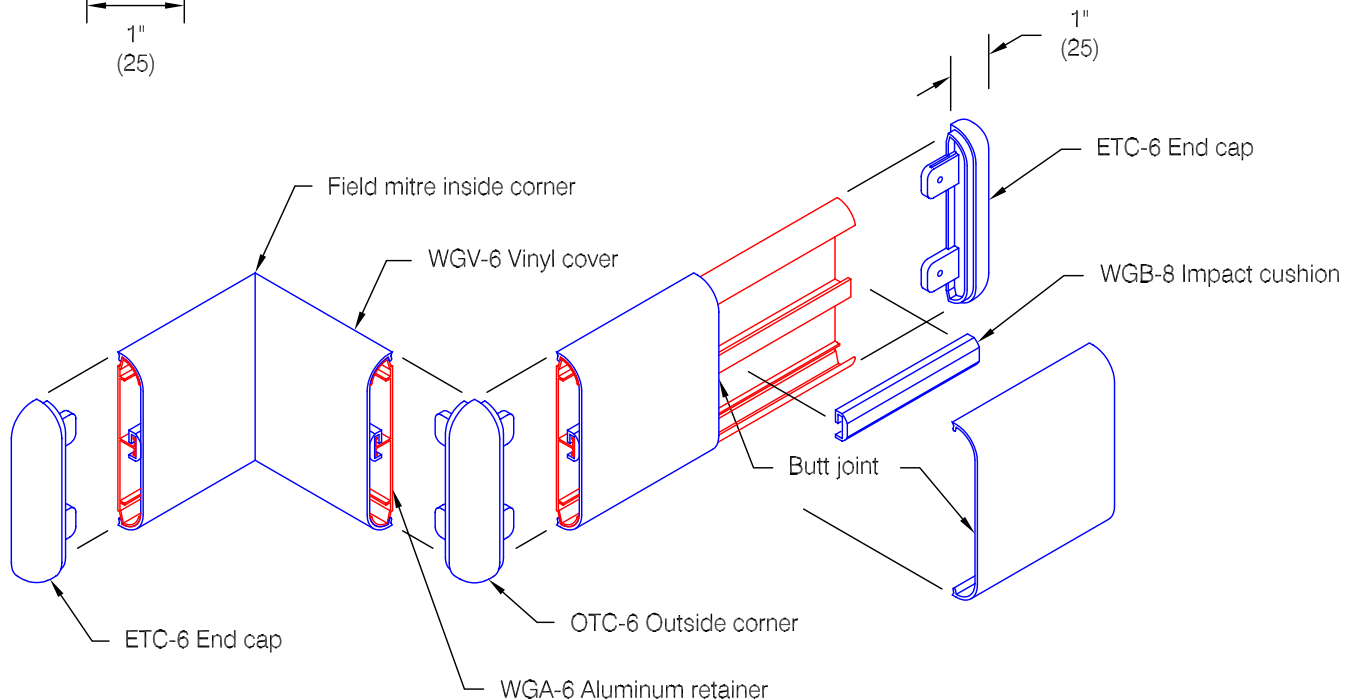
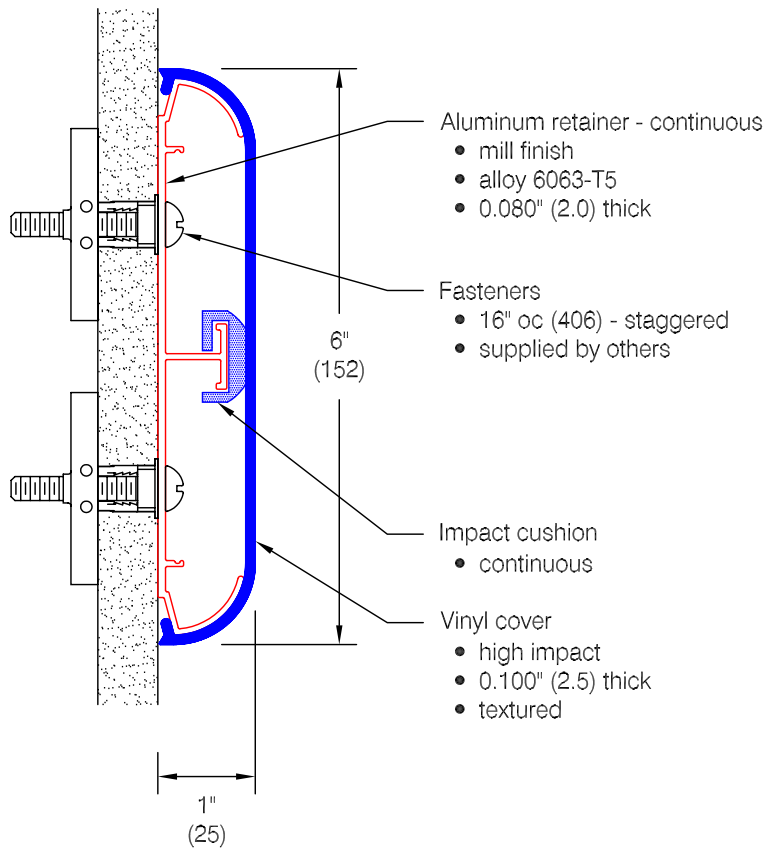
Finishes:

- Manufacturer's standard colors
- Custom colors available
- Grooved (see WD.29.0)
- Accent strips (see WD.31.0)

Optional mounting:



WD.28.0



Pawling Corporation reserves the right to discontinue a design or modify an existing design without prior notice

Customer :

Project :

Architect :

Sales Rep :

WD.27.0b