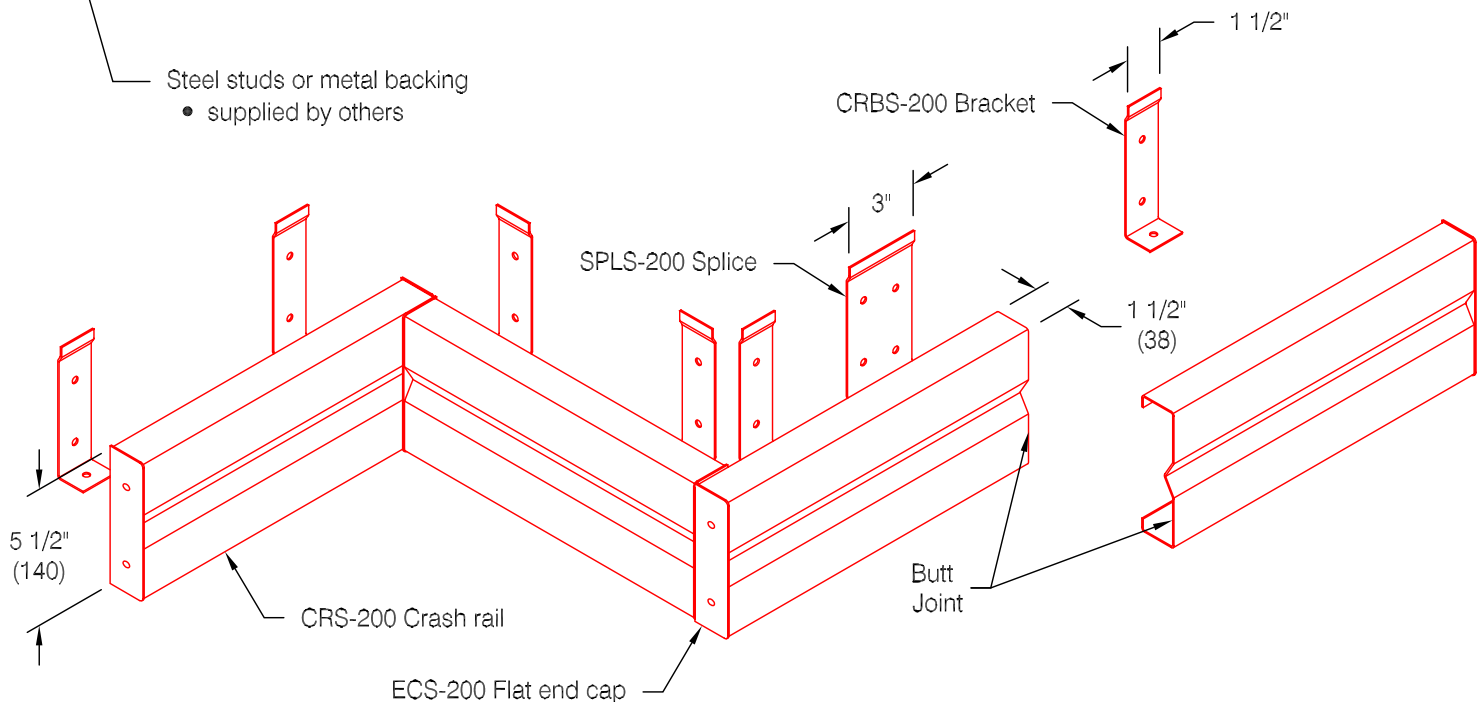
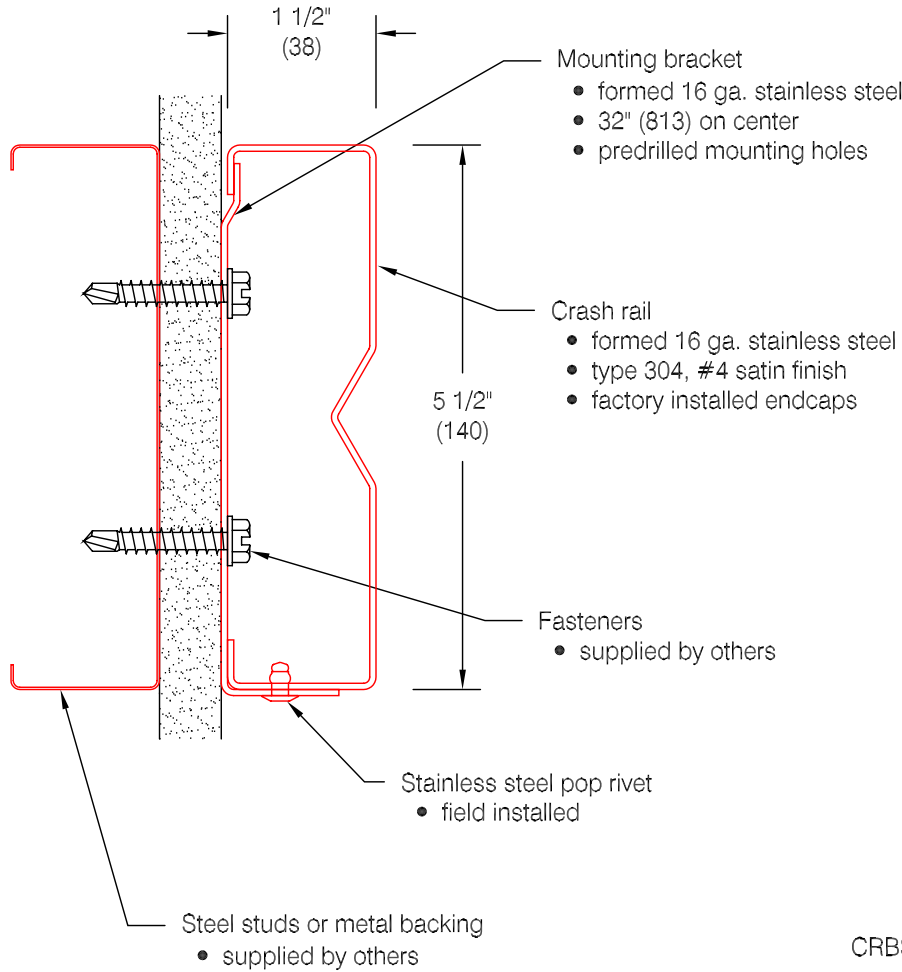




CRS-200 Crash Rail

Features:

- Prefabricated to fit field measured conditions
- Factory installed end caps
- Available to 10'-0" without a splice
- Inside and outside corners are not available
all runs terminate with end caps at corners



Pawling Corporation reserves the right to discontinue a design or modify an existing design without prior notice

Customer :	Project :	WD.151.0
Architect :	Sales Rep :	