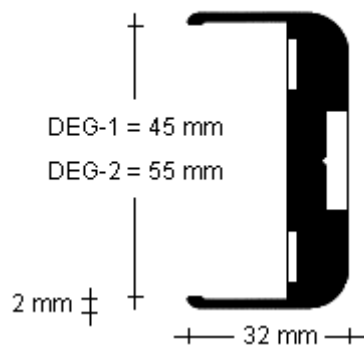


DEG-1 and DEG-2 Aluminium Door Edge Guard

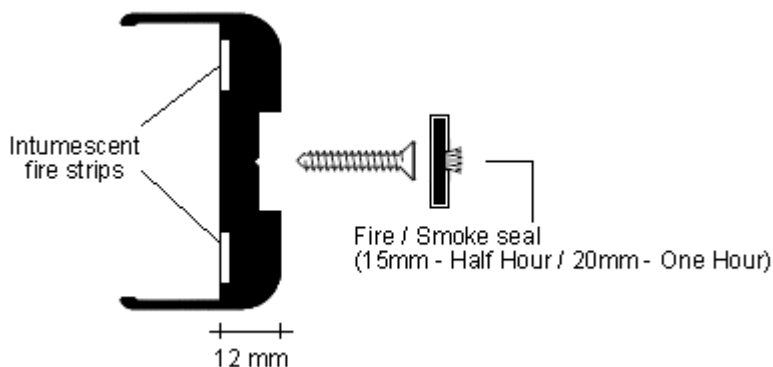
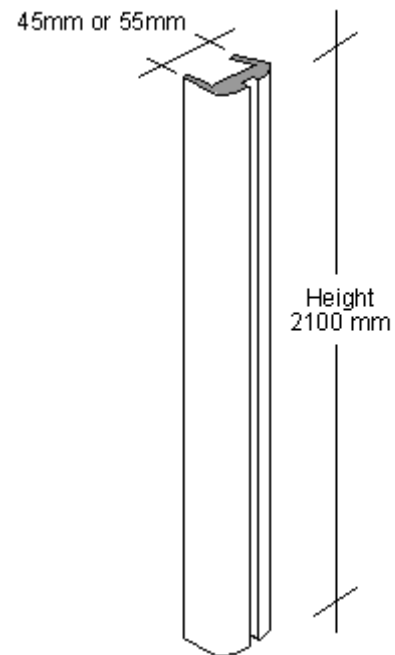


Features:

- A Solid Extruded Aluminium Door Edge Protector.
- Standard Silver Anodised finish or available in Colour Coated finish to any RAL reference.
- To suit 44mm and 54mm door widths.
- Supplied with Fire and Smoke Seals tested for 30 and 60 minutes to BS 476.
- Suitable for both Fire Rated and Non Fire Rated Doors.
- Radius edges all round to increase impact protection and ease door operation.

Installation:

- The door will require to be taken down and re-hung after Door Edge Guard has been fitted.
- Reduce door width to suit thickness of Door Edge Guard plus any required clearance.
- Cut Door Edge Guard to required length.
- Drill and countersink central fixing channel of Door Edge Guard at required centres.
- Place Door Edge Guard into position on door edge and screw fix to door.
- Fix Fire / Smoke Seal into central fixing channel by peeling off adhesive tape and pressing firmly into position.



Pawling Systems

Tel: 0845 355 6666 Fax: 0845 355 7777

Email: sales@pawlingsystems.com Web: www.pawlingsystems.com