

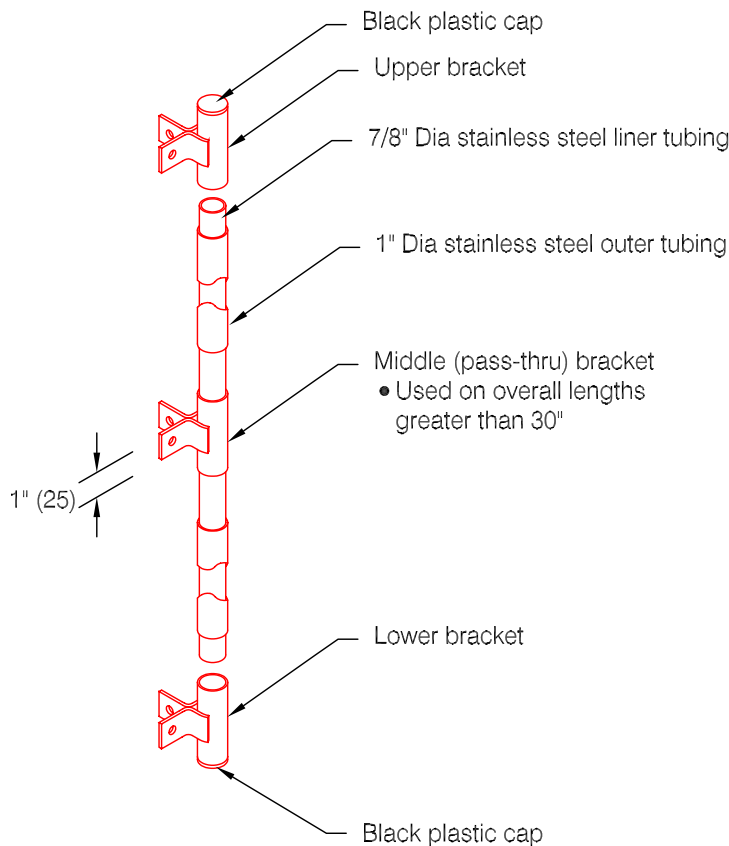
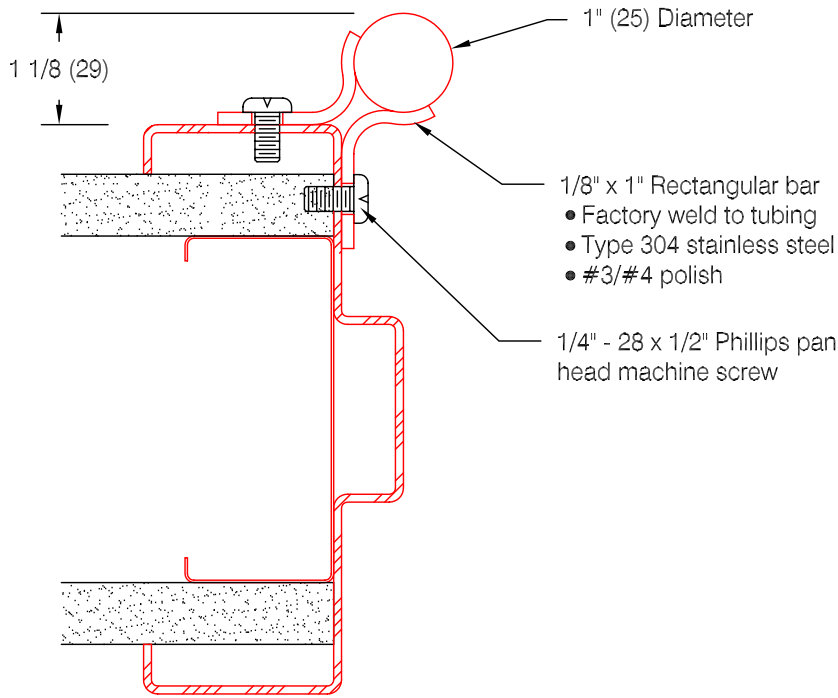
DFGS-100 Door Frame Guard

Features:

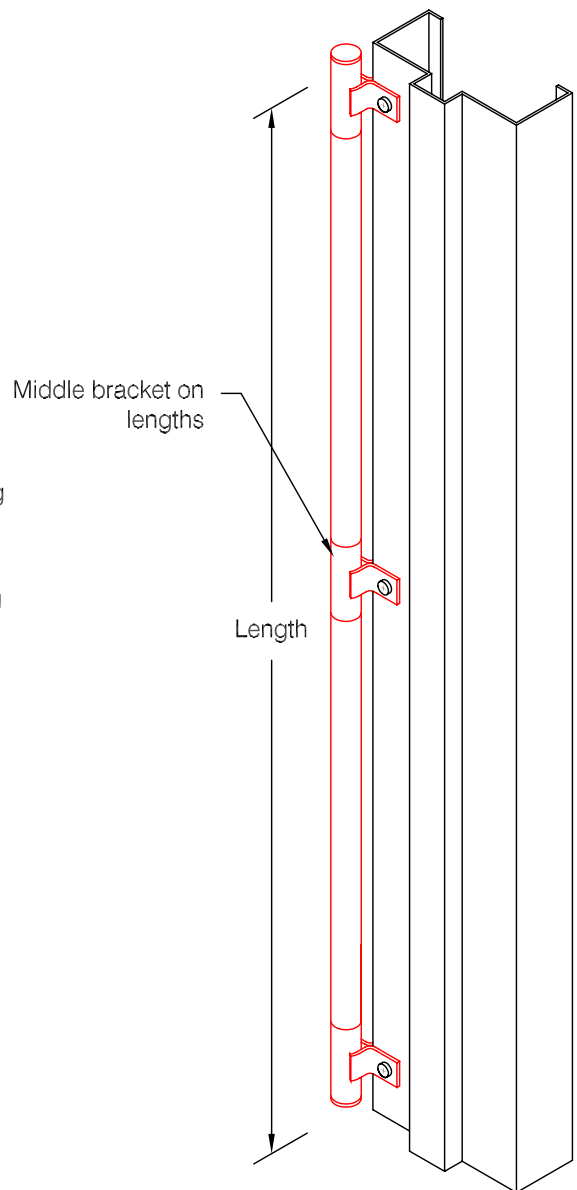
- Type 304 stainless steel
- Molded plastic top and bottom caps
- Standard length: 48" (1219)
42" (1067)
- Custom lengths available

Finishes:

- #3/#4 polish



Exploded View



Installed View

Pawling Corporation reserves the right to discontinue a design or modify an existing design without prior notice

Customer :	Project :	WD.173.0
Architect :	Sales Rep :	