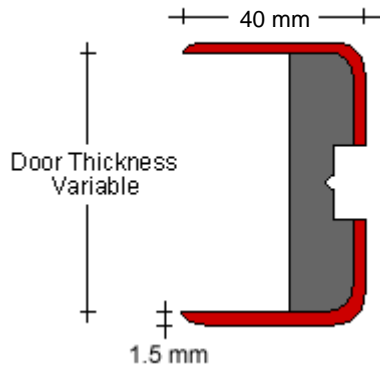


## DEG - 3 PVC Door Edge Guard

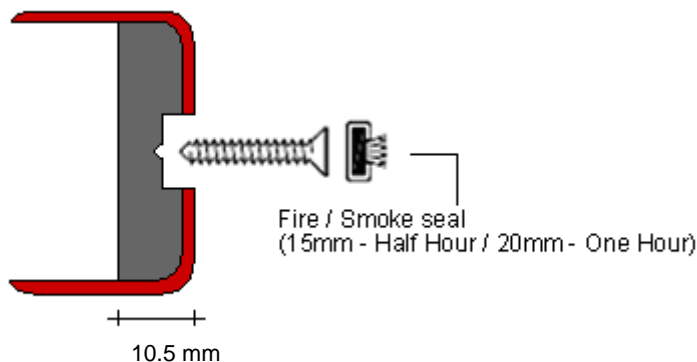
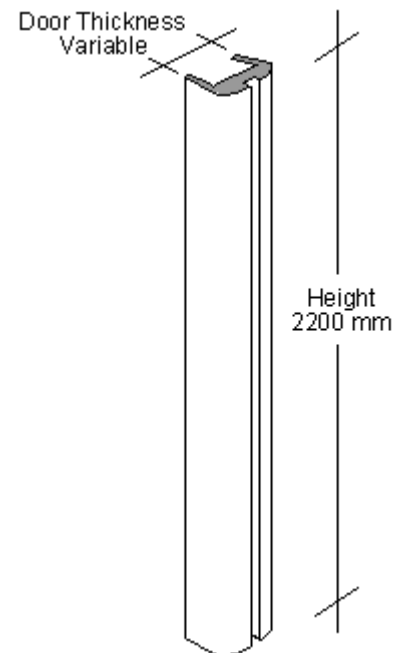


### Features:

- Manufactured from Impact PVC
- 60 Colour choices.
- Available to suit any door width.
- Supplied with Fire and Smoke Seals tested for 30 and 60 minutes to BS 476.
- Suitable for both Fire Rated and Non Fire Rated Doors.
- Bevelled Edge Finish on PVC Return.

### Installation:

- The door will require to be taken down and re-hung after Door Edge Guard has been fitted.
- Reduce door width to suit thickness of Door Edge Guard plus any required clearance.
- Cut Door Edge Guard to required length.
- Router out for any ironmongery if necessary.
- Drill and countersink central fixing channel of Door Edge Guard at required centres.
- Place Door Edge Guard into position on door edge and screw fix to door.
- Fix Fire / Smoke Seal into central fixing channel by peeling off adhesive tape and pressing firmly into position.



**Pawling Systems**

Tel : 0800 292 2788

Email: [sales@pawlingsystems.com](mailto:sales@pawlingsystems.com) Web: [www.pawlingsystems.com](http://www.pawlingsystems.com)